



1038 Ti-Adam Guidry Road  
 Arnaudville, LA 70512  
 Phone: (337) 754-5097  
 Fax: (337) 754-7330

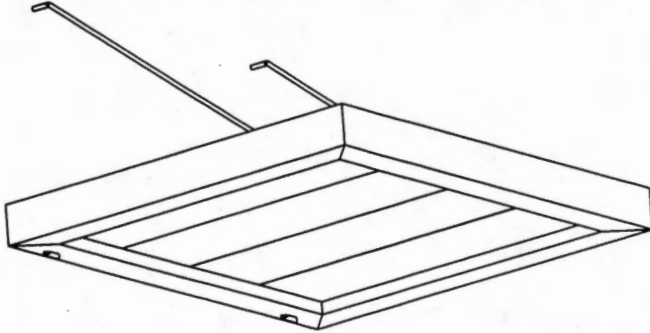
# ACCESSORIES

PAGE A7

SEE PRICE LIST

## DOOR CANOPY

PART #	SIZE	COLOR	WT. EACH
DCSDW	4'-6" SINGLE	WHITE	110#
DCSDC	4'-6" SINGLE	SPECIFY COLOR	110#
DCDDW	7'-6" DOUBLE	WHITE	175#
DCDDC	7'-6" DOUBLE	SPECIFY COLOR	175#



## SKYLIGHT ("R" PANEL)

PART #	SIZE	COLOR	WT. EACH
SKR	3'-0" X 10'-8"	FROST WHITE	15.19#



## MASTER FLASH DEKTITE

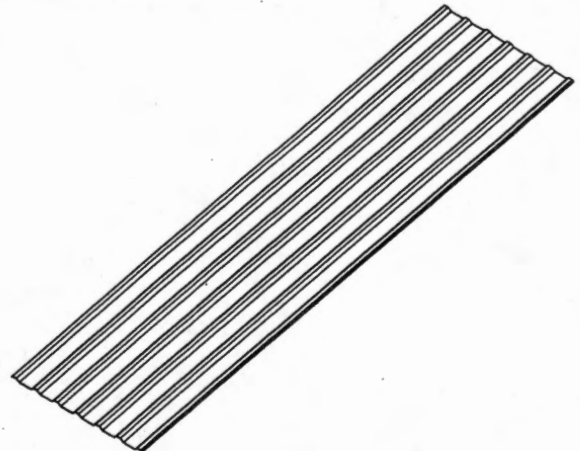
PART #	SIZE	WT. EACH
#1DEKTITE	1/4"-2"	.16#
#2DEKTITE	1 1/4"-3"	.26#
#3DEKTITE	1/4"-4"	.42#
#4DEKTITE	3"-6"	.54#
#5DEKTITE	4"-7"	.95#
#6DEKTITE	5"-9"	1.20#
#7DEKTITE	6"-11"	1.55#
#8DEKTITE	7"-13"	2.56#
#9DEKTITE	10"-20"	3.86#
#10DEKTITE	12"-26"	5.12#



TEMP. RANGE: -65°F TO 250°F

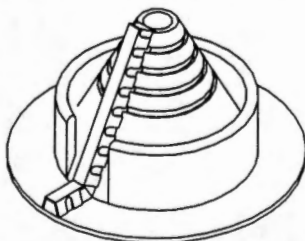
## SKYLIGHT ("M" PANEL)

PART #	SIZE	COLOR	WT. EACH
SKM	3'-0" X 10'-8"	FROST WHITE	15.19#



## RETROFIT DEKTITE (ZIPPER TYPE)

PART #	SIZE	WT. EACH
ZDT#1	1"-2 3/4"	.38#
ZDT#2	2"-7 1/4"	.98#



TEMP. RANGE: -65°F TO 250°F

## TRIM SHEETS (FLAT)

PART #	SIZE	COLOR	WT. EACH
FLSGV	41 9/16" X 10'-0"	GALVALUME	24.93#
FLSPW	41 9/16" X 10'-0"	WHITE	24.93#
FLSCL	41 9/16" X 10'-0"	COLOR	24.93#

\$3 UP-CHARGE PER SHEET IF STRIPPABLE FILM IS REQD.

