



1038 Ti-Adam Guidry Road
 Arnaudville, LA 70512
 Phone: (337) 754-5097
 Fax: (337) 754-7330

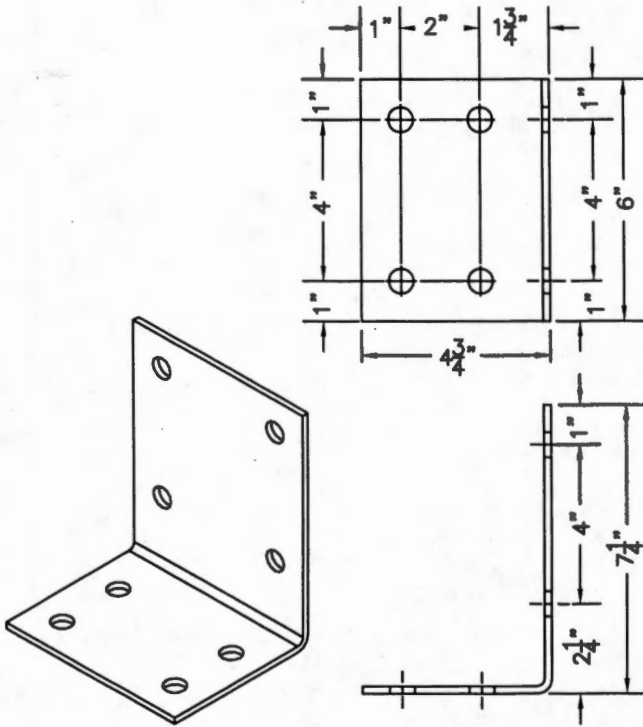
CLIPS

ALL CLIPS HAVE A 0.5 MIL RED OXIDE FINISH UNLESS NOTED OTHERWISE.

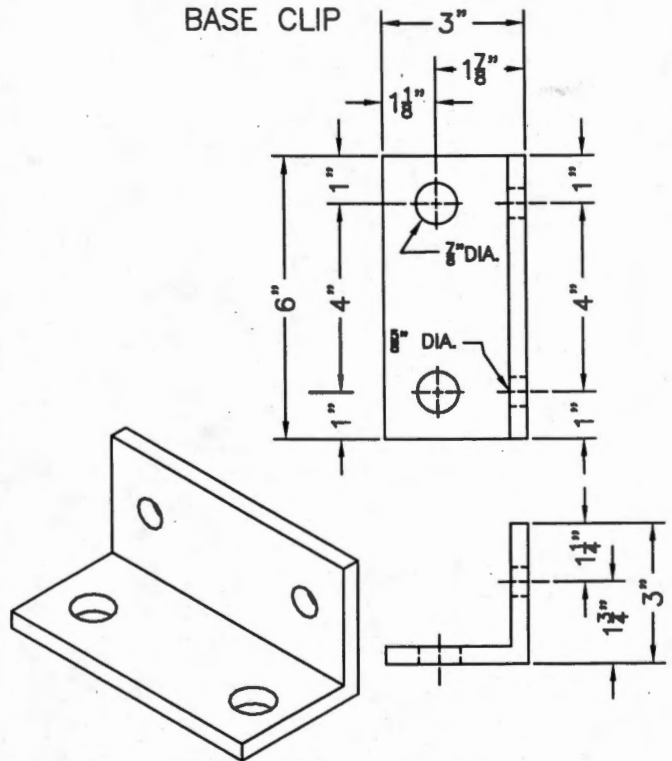
PAGE C8

SEE PRICE LIST

RIGID RAFTER-PURLIN CLIP



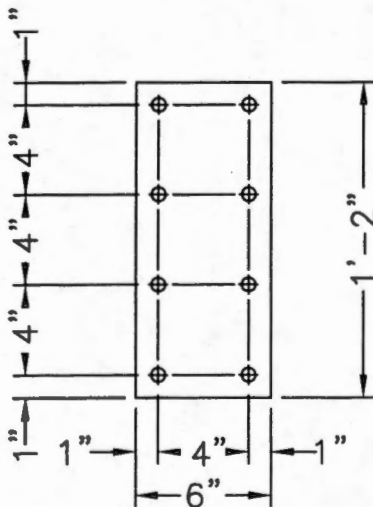
BASE CLIP



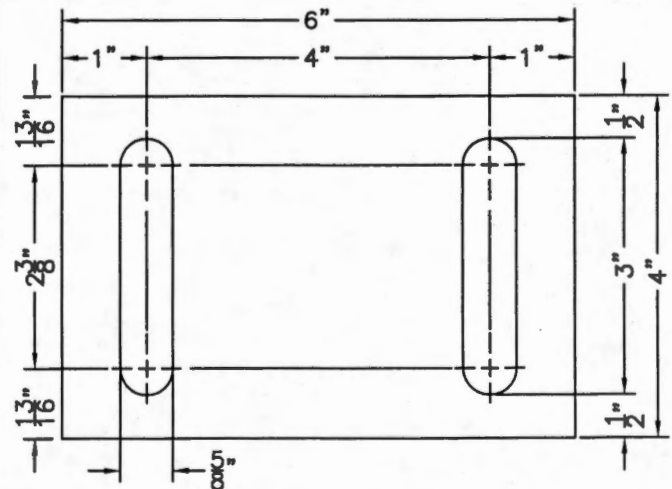
PART NO.	MATERIAL	THICKNESS	WT./EA.	HOLE SIZE(S)
CLIPD7	PLATE	10 GA.	2.473#	5/8"
CLIPD7GV	GAL.	10 GA.	2.497#	5/8"

PART NO.	MATERIAL	THICKNESS	WT./EA.	HOLE SIZE(S)
CLIPD4	3"X3" ANGLE	3/8"	3.490#	5/8" AND 7/8"
CLIPD4GV	GAL.	3/8"	3.524#	5/8" AND 7/8"

T1 CLIP (TIE-IN CLIP)



FLUSH FRAME COLUMN/GIRT CLIP



PART NO.	MATERIAL	THICKNESS	WT./EA.	HOLE SIZE(S)
CLIPT1	PLATE	1/4"	4.326#	5/8"

PART NO.	MATERIAL	THICKNESS	WT./EA.	HOLE SIZE(S)
CLIPIC1	PLATE	3/16"	1.100#	5/8" X 3" SLOT