



1038 Ti-Adam Guidry Road
 Arnaudville, LA 70512
 Phone: (337) 754-5097
 Fax: (337) 754-7330

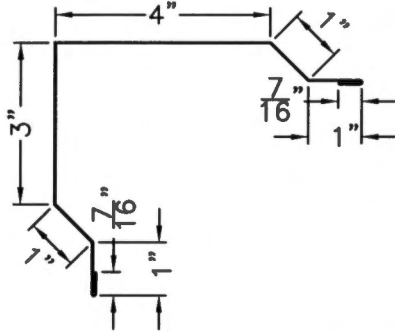
TRIM

NOTE: ALL TRIM 26 GA.

PAGE T5

SEE PRICE LIST

M PANEL CORNER TRIM



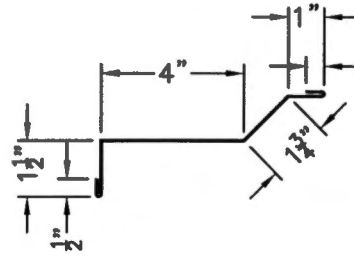
PART NUMBER
CT-2

GIRTH
11 7/8"

MAX. LENGTH
20'-6"

WT./FT.
.712#

R PANEL SOFFIT TO WALL TRIM



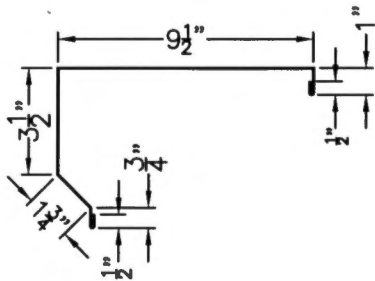
PART NUMBER
SF-1

GIRTH
9 1/4"

MAX. LENGTH
20'-6"

WT./FT.
.555#

WRAP AROUND CORNER TRIM



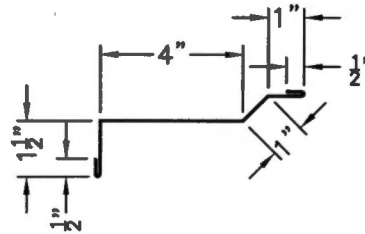
PART NUMBER
CT-3

GIRTH
17 1/2"

MAX. LENGTH
20'-6"

WT./FT.
1.095#

M PANEL SOFFIT TO WALL TRIM



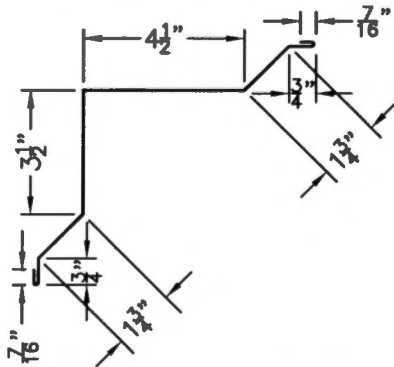
PART NUMBER
SF-1A

GIRTH
8 1/2"

MAX. LENGTH
20'-6"

WT./FT.
.510#

R PANEL INSIDE CORNER TRIM



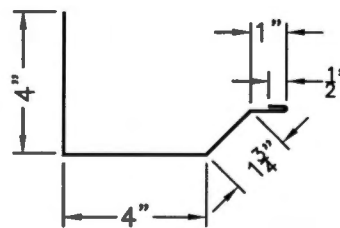
PART NUMBER
ICT-1

GIRTH
13 15/16"

MAX. LENGTH
20'-6"

WT./FT.
.836#

R PANEL SOFFIT TO
RAKE EDGE TRIM



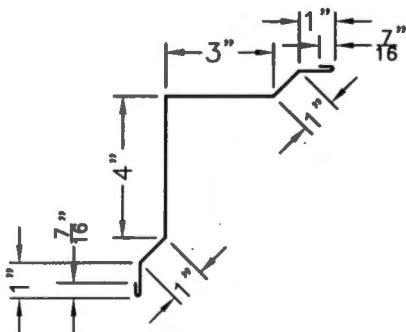
PART NUMBER
SF-2

GIRTH
11 1/4"

MAX. LENGTH
20'-6"

WT./FT.
.615#

M PANEL INSIDE CORNER TRIM



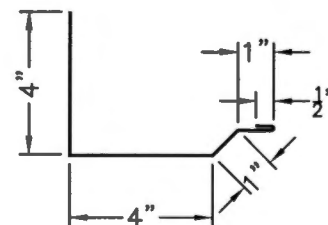
PART NUMBER
ICT-2

GIRTH
11 7/8"

MAX. LENGTH
20'-6"

WT./FT.
.712#

M PANEL SOFFIT TO
RAKE EDGE TRIM



PART NUMBER
SF-2A

GIRTH
10 1/2"

MAX. LENGTH
20'-6"

WT./FT.
.570#