



1038 Ti-Adam Guidry Road
 Arnaudville, LA 70512
 Phone: (337) 754-5097
 Fax: (337) 754-7330

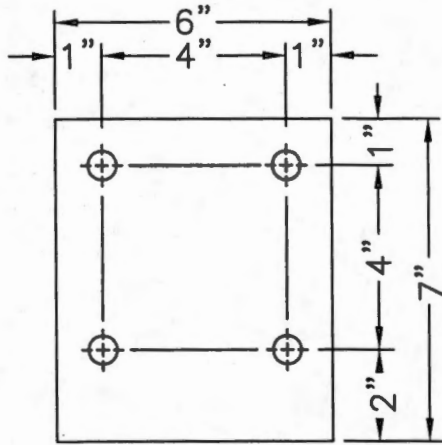
CLIPS

ALL CLIPS HAVE A 0.5 MIL RED OXIDE FINISH UNLESS NOTED OTHERWISE

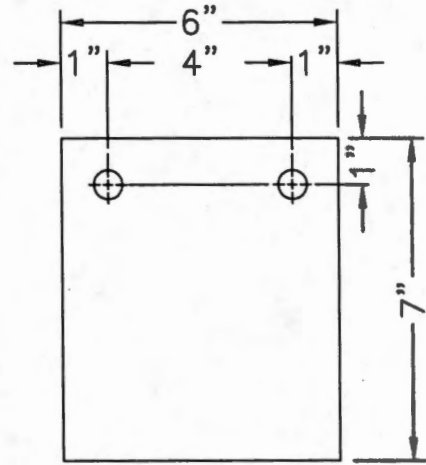
PAGE C1

SEE PRICE LIST

WP-1 WELD-ON CLIP-8" PURLIN/GIRT



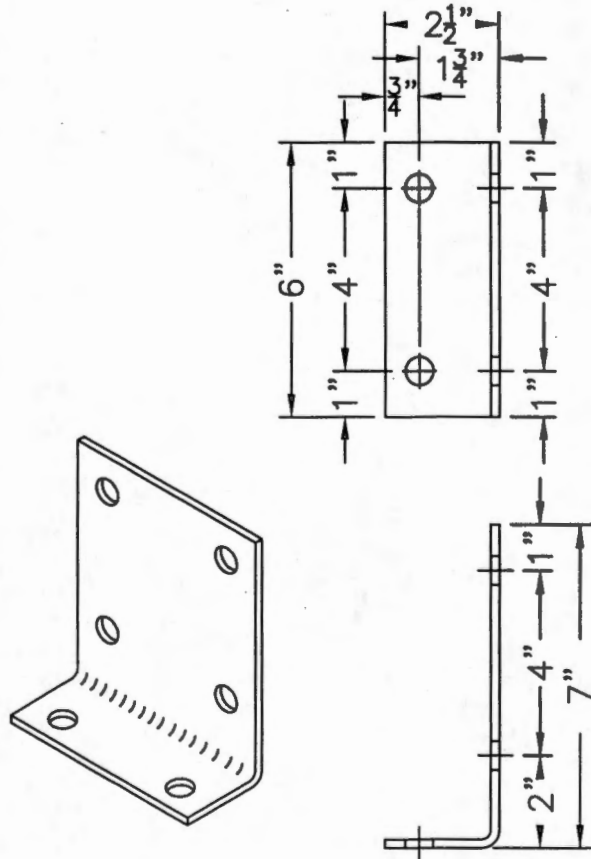
WP-2 WELD-ON CLIP-8" FLUSH GIRT



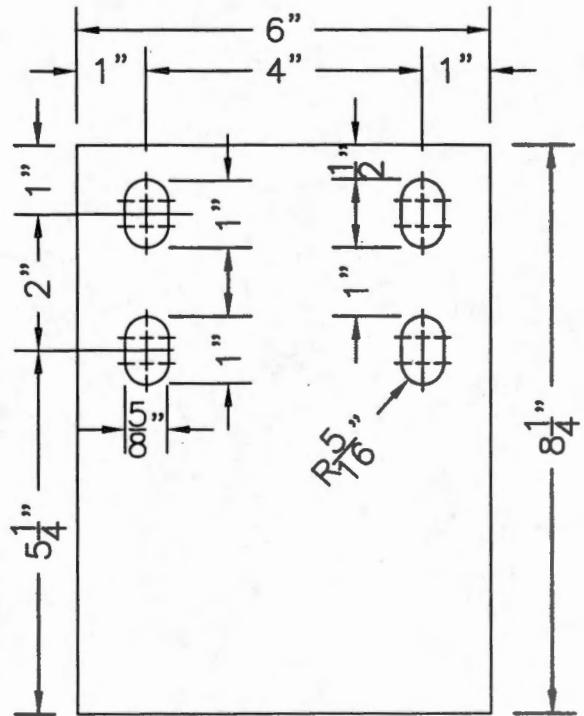
PART NO.	MATERIAL	THICKNESS	WT./EA.	HOLE SIZE(S)
CLIPWP-1	PLATE	3/16"	2.128#	5/8"

PART NO.	MATERIAL	THICKNESS	WT./EA.	HOLE SIZE(S)
CLIPWP-2	PLATE	1/4"	2.164#	5/8"

P8 CLIP (BOLT-ON CLIP FOR 8" MEMBERS)



EP-1 WELD-ON CLIP



PART NO.	MATERIAL	THICKNESS	WT./EA.	HOLE SIZE(S)
CLIPP8	PLATE	3/16"	2.838#	5/8"
CLIPP8GV	GAL.	3/16"	2.866#	5/8"

PART NO.	MATERIAL	THICKNESS	WT./EA.	HOLE SIZE(S)
CLIEP-1	PLATE	3/16"	3.366#	5/8" X 1"