



1038 Ti-Adam Guidry Road
 Arnaudville, LA 70512
 Phone: (337) 754-5097
 Fax: (337) 754-7330

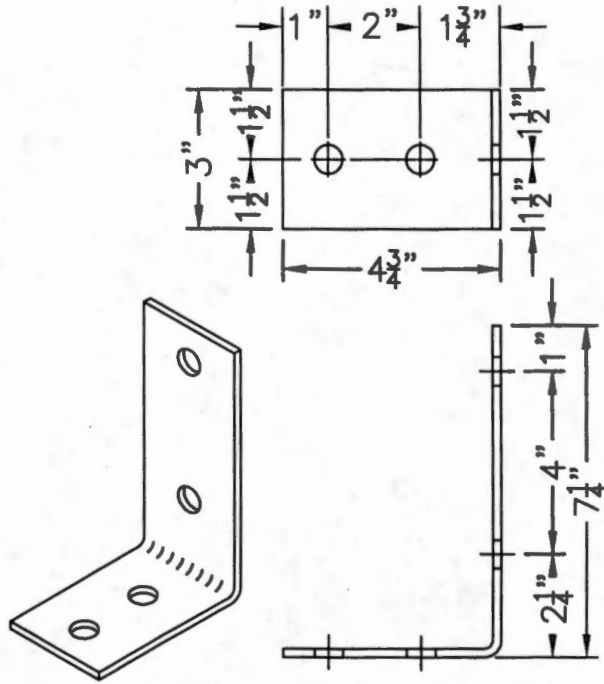
CLIPS

ALL CLIPS HAVE A 0.5 MIL RED OXIDE FINISH UNLESS NOTED OTHERWISE

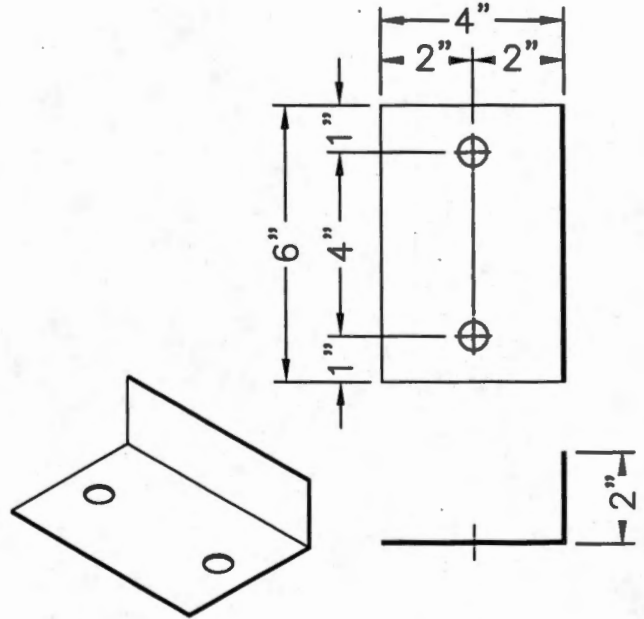
PAGE C2

SEE PRICE LIST

BEARING RAFTER-PURLIN CLIP



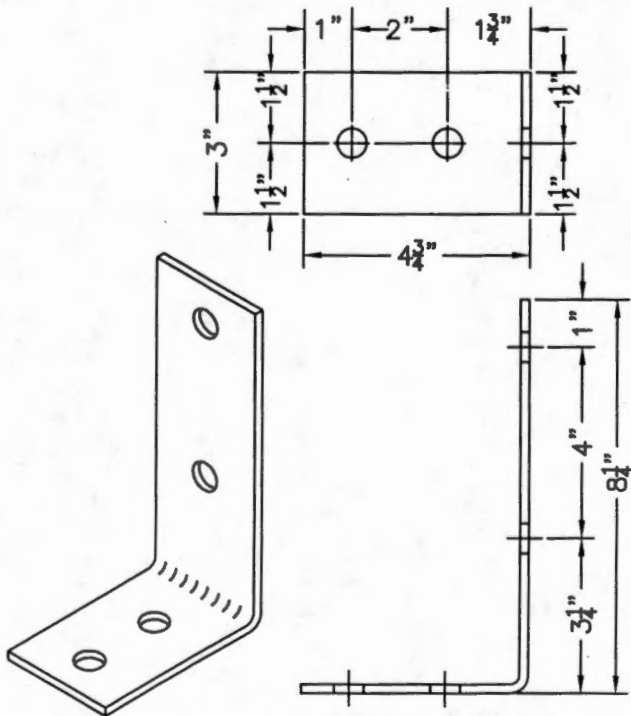
GIRT CLOSURE CLIP



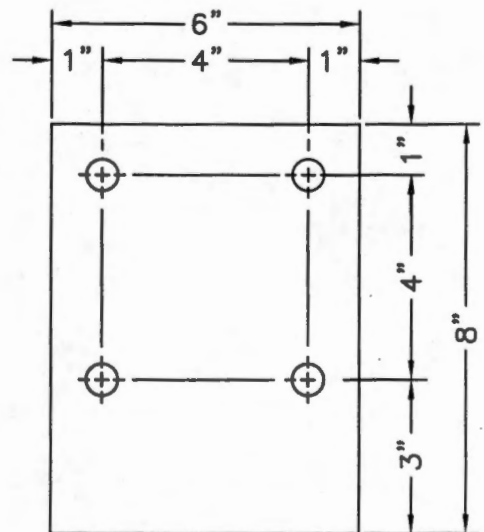
PART NO.	MATERIAL	THICKNESS	WT./EA.	HOLE SIZE(S)
CLIPC7	PLATE	10 GA.	1.236#	5/8"
CLIPC7GV	GAL.	10 GA.	1.248#	5/8"

PART NO.	MATERIAL	THICKNESS	WT./EA.	HOLE SIZE(S)
CLIPCL-S4	4"X2"ANGLE	16 GA.	.533#	5/8"
CLIPCL-S4GV	GAL.	16 GA.	.592#	5/8"

BEARING RAFTER-PURLIN CLIP (10")



WP-3 WELD-ON CLIP FOR 10" PURLINS AND BY-PASS GIRTS



PART NO.	MATERIAL	THICKNESS	WT./EA.	HOLE SIZE(S)
CLIPC10	PLATE	10 GA.	1.341#	5/8"
CLIPC10GV	GAL.	10 GA.	1.353#	5/8"

PART NO.	MATERIAL	THICKNESS	WT./EA.	HOLE SIZE(S)
CLIPWP-3	PLATE	3/16"	2.448#	5/8"