



1038 Ti-Adam Guidry Road
 Arnaudville, LA 70512
 Phone: (337) 754-5097
 Fax: (337) 754-7330

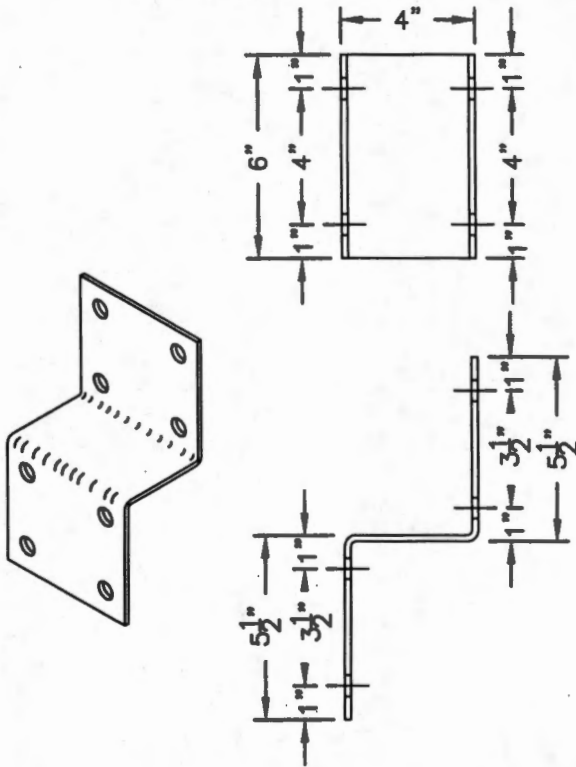
CLIPS

ALL CLIPS HAVE A 0.5 MIL RED OXIDE FINISH UNLESS NOTED OTHERWISE

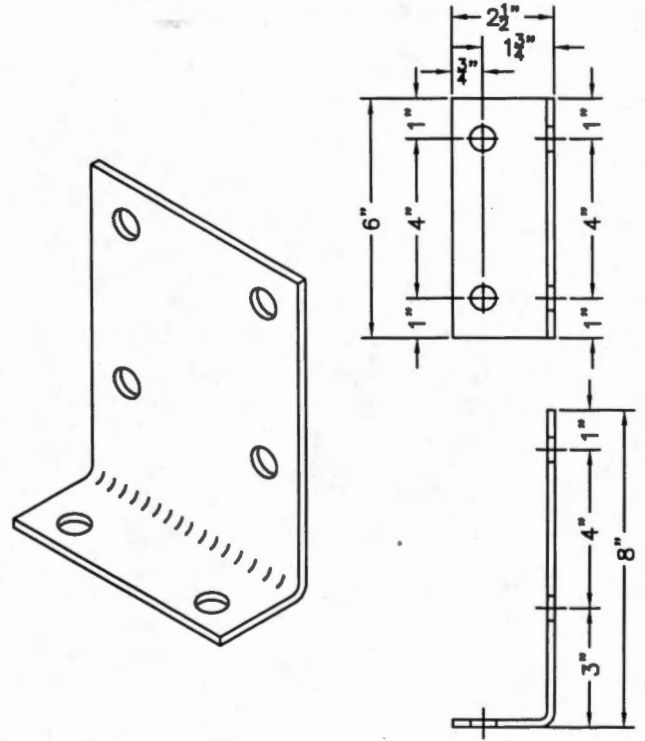
PAGE C5

SEE PRICE LIST

N3 CLIP (8 HOLE) "W" ENDWALL COLUMN CLIP



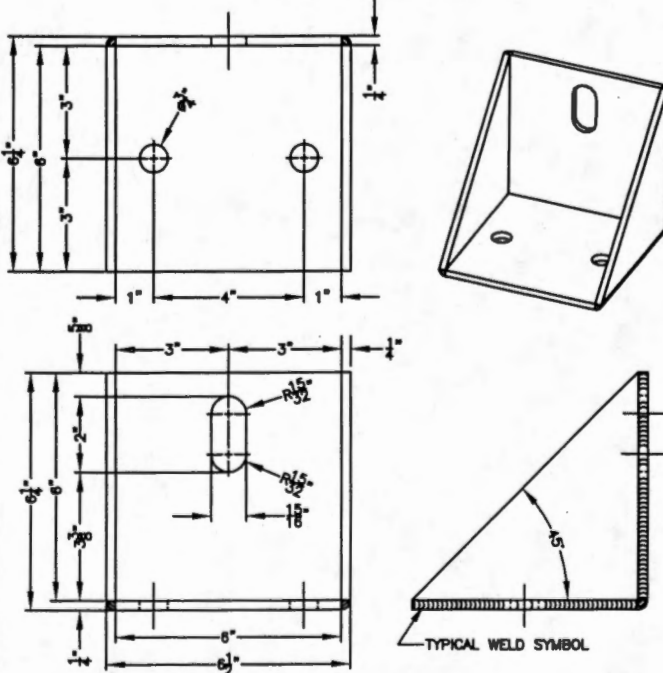
P10 BOTTOM CLIP FOR 10" BY-PASS GIRT (BOLT-ON CLIP FOR 10" MEMBERS)



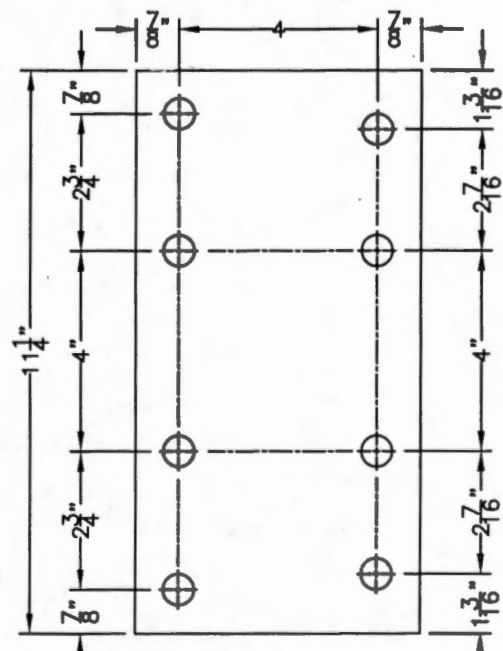
PART NO.	MATERIAL	THICKNESS	WT./EA.	HOLE SIZE(S)
CLIPN3	PLATE	3/16"	4.290#	5/8"

PART NO.	MATERIAL	THICKNESS	WT./EA.	HOLE SIZE(S)
CLIPP10	PLATE	3/16"	3.148#	5/8"

FLOOR ANCHOR



BEARING FRAME RAFTER PEAK CLIP



STANDARD CLIP 1:12 PITCH
 PLEASE INQUIRE FOR OTHER PITCHES

PART NO.	MATERIAL	THICKNESS	WT./EA.	HOLE SIZE(S)
CLIPFA-1	PLATE	1/4"	8.082#	3/4" AND 15/16" X 2" ROD HOLE

PART NO.	MATERIAL	THICKNESS	WT./EA.	HOLE SIZE(S)
CLIPP1	PLATE	1/4"	4.618#	5/8"