



1038 Ti-Adam Guidry Road
 Arnaudville, LA 70512
 Phone: (337) 754-5097
 Fax: (337) 754-7330

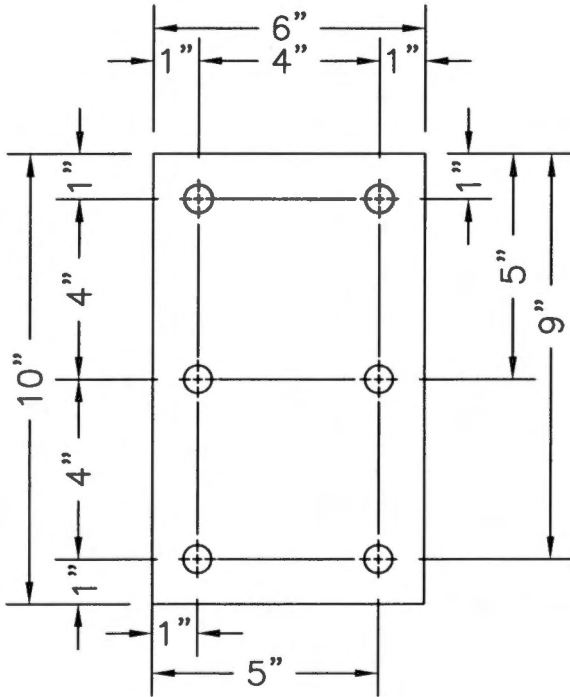
CLIPS

ALL CLIPS HAVE A 0.5 MIL RED OXIDE FINISH UNLESS NOTED OTHERWISE

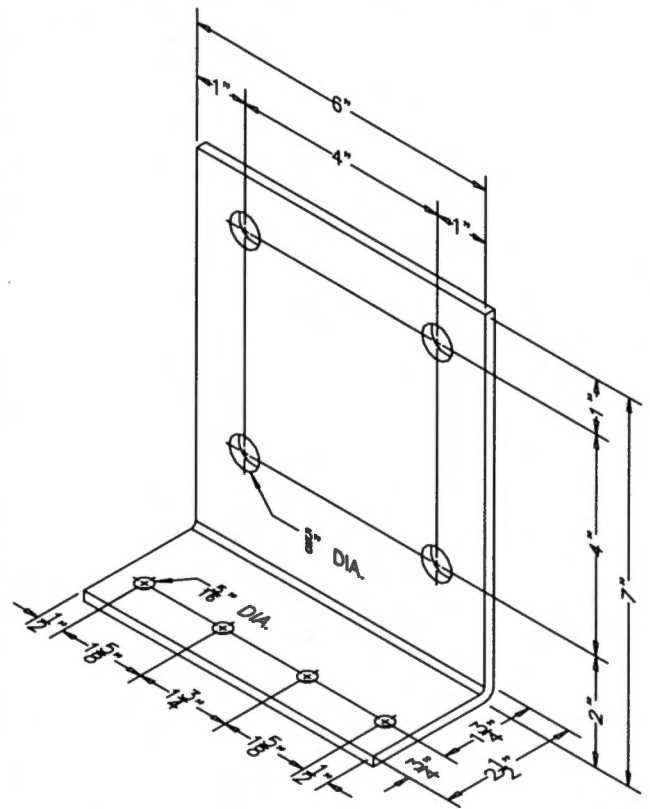
PAGE C6

SEE PRICE LIST

CORNER CLIP FOR BY-PASS GIRT CONDITION ("B" CORNER CLIP)

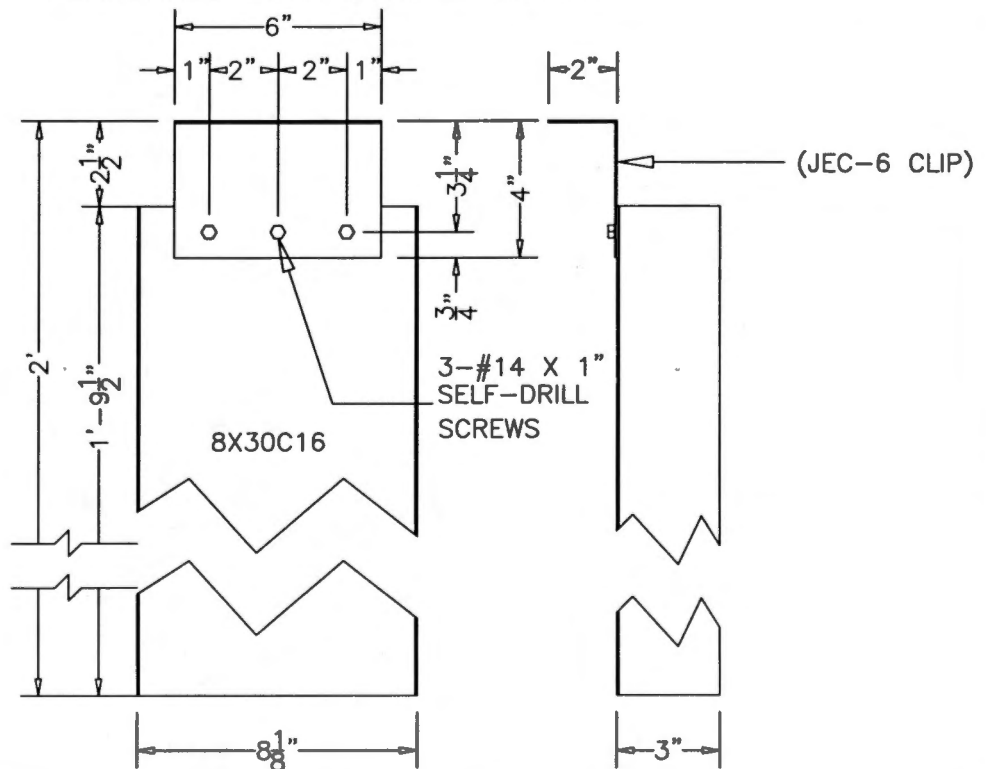


JAMB TO "Z" GIRT CLIP



PART NO.	MATERIAL	THICKNESS	WT./EA.	HOLE SIZE(S)
CLIPJ2	PLATE	3/16"	2.924#	5/8" AND 5/16"
CLIPR-2	PLATE	3/16"	3.114#	5/8"
CLIPJ2GV	GAL.	3/16"	2.953#	5/8" AND 5/16"

PERSONNEL DOOR JAMB EXTENSION



PART NO.	FINISH	WT./EA.
JAMBEXT	RED OX.	6.150#
JAMBEXTG	GAL.	6.211#