



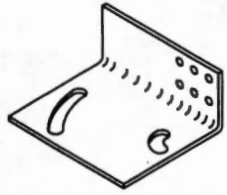
1038 Ti-Adam Guidry Road
 Arnaudville, LA 70512
 Phone: (337) 754-5097
 Fax: (337) 754-7330

CLIPS

ALL CLIPS HAVE A 0.5 MIL RED OXIDE FINISH UNLESS NOTED OTHERWISE

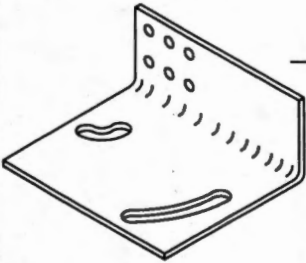
PAGE C7

SEE PRICE LIST

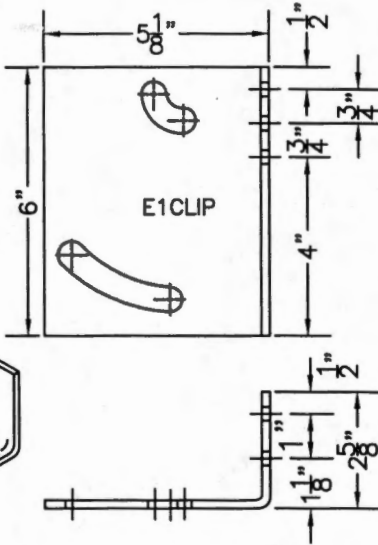


OPPOSITE HAND (E2CLIP)

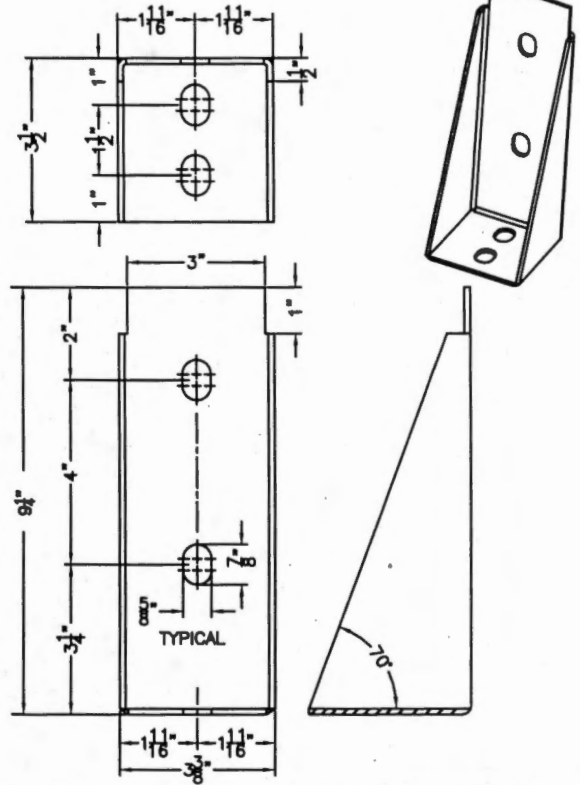
PITCH RANGE FROM 1/2:12 THROUGH 6:12



E1/E2 CLIP



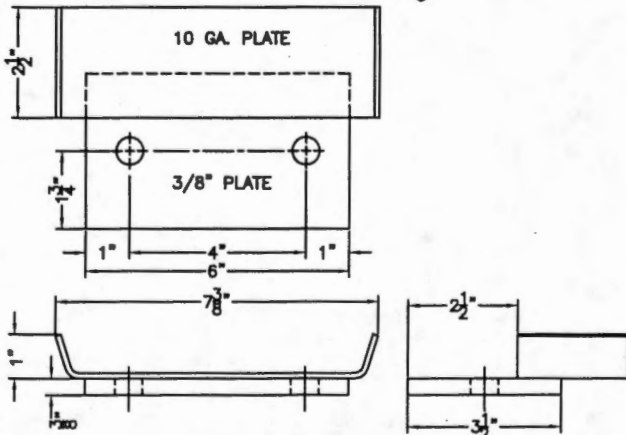
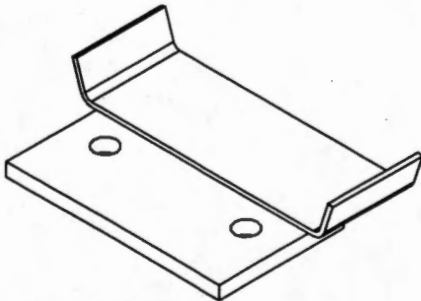
SLIDE DOOR HEADER BRACKET CLIP



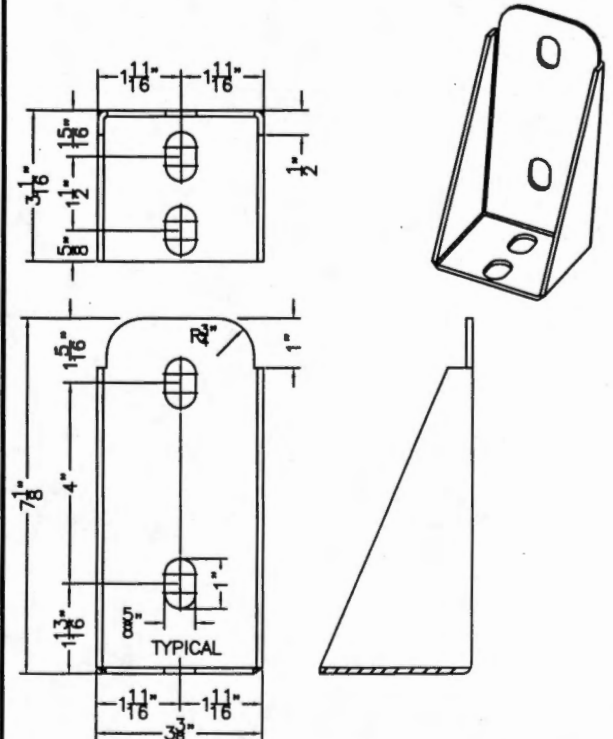
PART NO.	MATERIAL	THICKNESS	WT./EA.	HOLE SIZE(S)
CLIP E1	PLATE	3/16"	2.262#	5/16" AND 9/16" SLOTS
CLIP E2	PLATE	3/16"	2.262#	5/16" AND 9/16" SLOTS
CLIP E1GV	GAL.	3/16"	2.284#	5/16" AND 9/16" SLOTS
CLIP E2GV	GAL.	3/16"	2.284#	5/16" AND 9/16" SLOTS

PART NO.	MATERIAL	THICKNESS	WT./EA.	HOLE SIZE(S)
CLIPSDHB1	PLATE	10 GA.	2.600#	5/8" X 7/8"

SLIDE DOOR GUIDE



SLIDE DOOR HEADER BRACKET SUPPORT CLIP



PART NO.	MATERIAL	THICKNESS	WT./EA.	HOLE SIZE(S)
CLIPSDG1	PLATE	3/8"/10 GA.	3.788#	5/8"

PART NO.	MATERIAL	THICKNESS	WT./EA.	HOLE SIZE(S)
CLIPSDHB2	PLATE	10 GA.	1.900#	5/8" X 1"